

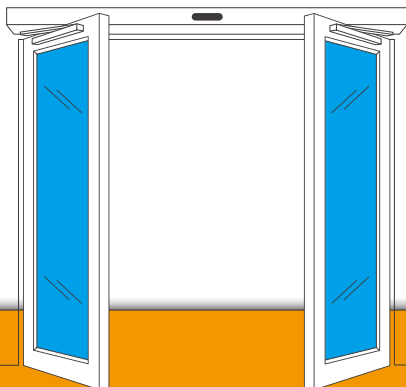
## ■ Swing Door System GSW-3XX Series

When tight spaces are a problem GSW-3XX Series comes to the rescue.

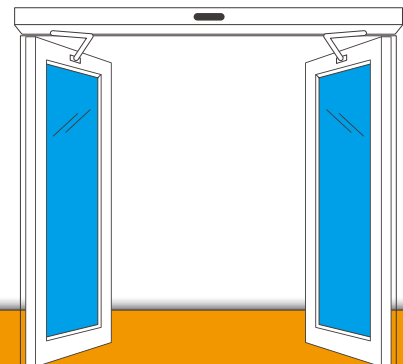
For installations that are subjected to tight-spaces, "Swing Door System" allow for an entry point that is almost as wide as the opening area. Standard and optional safety features provide an exceptionally safe, outstandingly quiet and reliable compact automatic door.

As the leading manufacturer of operating units, we do not just provide a door but an entrance that will open up new prospects for your business. With a wide array of standard and optional features, Grizzly doors can be adapted and customized to provide the most complete Automated Door System available.

GSW-3XX-Pull Type



GSW-3XX-Push Type

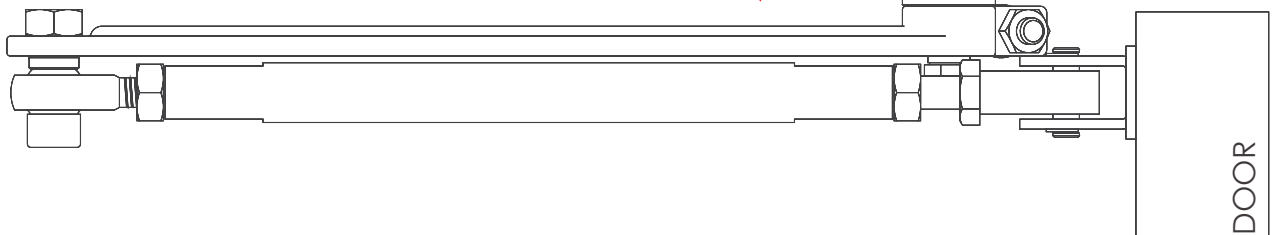
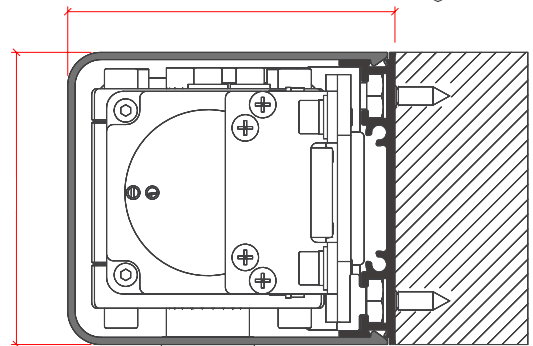
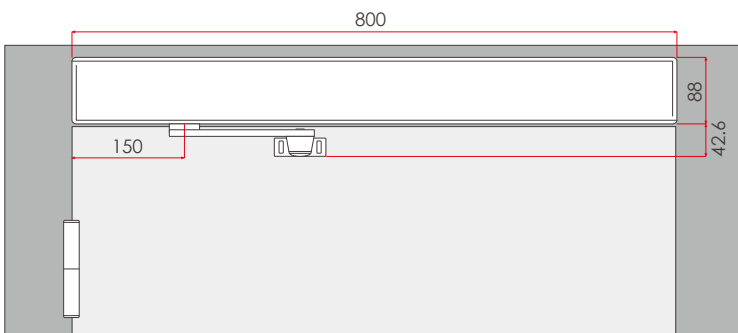
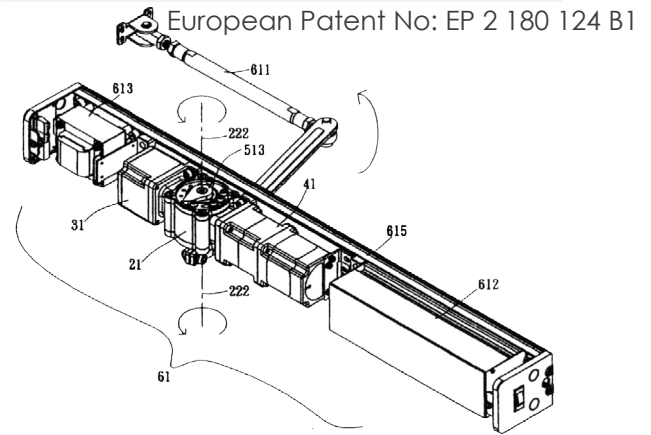


# Swing GSW-3XX

## ■ Engineer Drawings

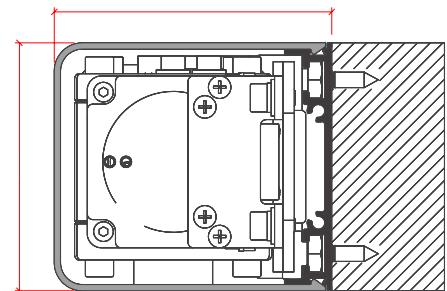
U.S.A. Patent No: US 7 774 984 B2

European Patent No: EP 2 180 124 B1



### GSW-3XX- Pull Type:

Ideal for indoor applications GSW-3XX "pull open" type runs quietly and reliably. Single or Double leaf swing door systems are most suitable for areas that are noise sensitive (hospitals, laboratories or libraries). Pull Type Swing Doors utilize a durable and reliable 'Slide Channel' system.



\* Specifications may change